



better together

# Data sheet

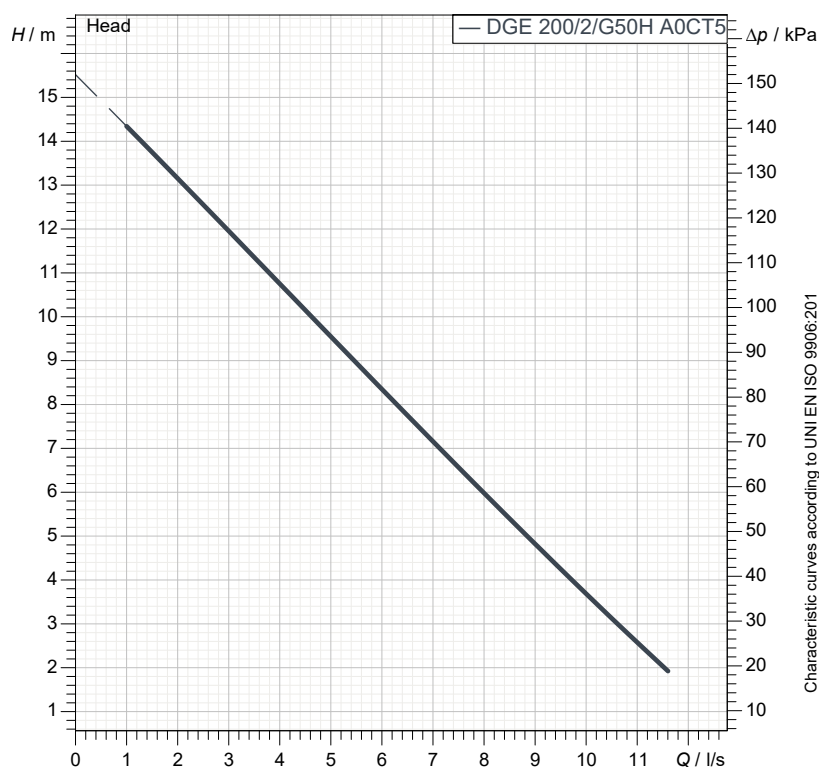
## DGE 200/2/G50H A0CT5

# E

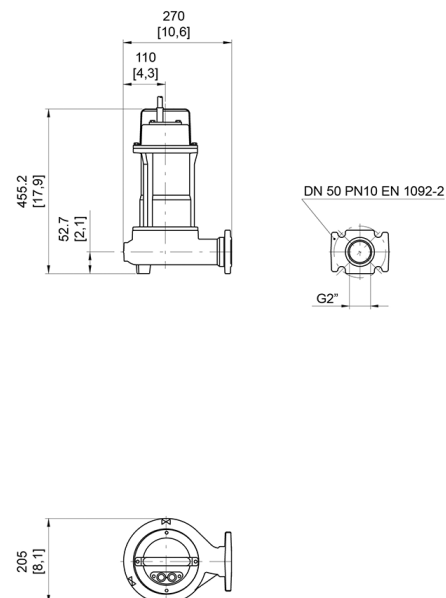
series

### Technical specification

3~ 50 Hz



Characteristic curves according to UNI EN ISO 9906:201  
P2 < 10kW: paragraph 4.4.2  
10kW < P2 < 100kW: Grade 3B  
P2 > 100kW: Grade 2B



[ mm ]  
[ inch ]

#### Pump

Series	E series
Pump name	DGE 200/2/G50H A0CT5
Configuration	NGNAQ21040N00NN
Standard	EN 809:2009

#### Motor data

Rated voltage	400 V
Frequency	50 Hz
Motor phases	3~
Number of poles	2
Rated power P2	1.5 kW
Incoming power P1	2.1 kW
Rated current	3.6 A
rpm	2900 1/min
cos φ	0.83
Rated torque	4.9 Nm
Start	Direct starting
Degree of protection	IP 68
Insulation class	F

#### Hydraulic

Type	DG (Set-back Vortex)
Free passage	50 mm
Impeller type	Set-back Vortex impeller
Discharge	DN 50 - G2" EN 1092-2
Curve tolerance	UNI EN ISO 9906:2012

#### Operating limits (standard pumps)

Max. ambient temperature	40 °C
Max. density treated liquid	1100 kg/m³
pH treated liquid	6 ÷ 14
Max. start per hour (equally distributed)	30
Wet/dry use	WET
Max. acoustic pressure level	70 dB
Operating mode	S1 - Continuous use

#### Construction materials

Case	Cast iron EN-GJL 250
Shaft	Stainless steel AISI 431
Hydraulic	Cast iron - EN-GJL 250
Impeller	Cast iron - EN-GJL 250
Painting/Coating	Bi-epoxy 120 μm
Screws	Stainless steel - Class A2-70
Gaskets	NBR

#### Construction features

Main cable	4G1
Control cable	-
Cable length	10 mt
Mechanical seals	1 in silicon carbide and 1 lip seal
Additional drilling	-
Weight*	21 kg
Electrical variant	No electrical device equipped

\* cable and fixing system excluded



better together

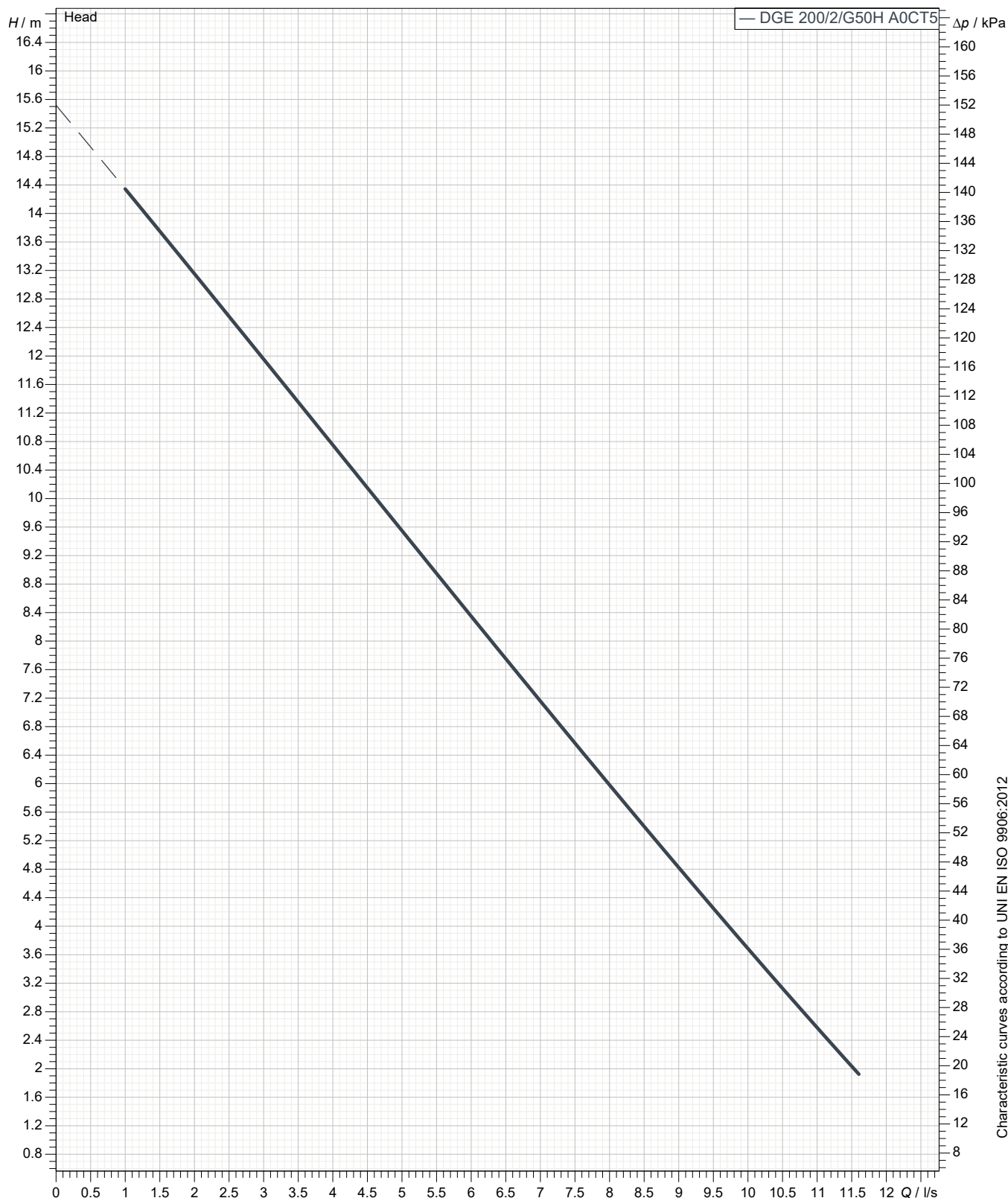
# Data sheet DGE 200/2/G50H A0CT5

# E series

## Pump performance curves

### 3~ 50 Hz

Hydraulic type DG (Set-back Vortex)		Impeller type Set-back Vortex impeller		Free passage 50 mm	Discharge DN 50 - G2"	Suction -
<b>DUTY POINT</b>						
Flow	Head	Shaft power P2	Hydraulic efficiency	Density 998.3 kg/m <sup>3</sup>	Viscosity 1.005 mm <sup>2</sup> /s	



Characteristic curves according to UNI EN ISO 9906:2012  
P2<10kW: paragraph 4.4.2  
10kW<P2<100kW: Grade 3B  
P2>100kW: Grade 2B



better together

# Data sheet DGE 200/2/G50H A0CT5

# E

series

## Dimensional drawing

3~ 50 Hz

**Installation type** Installation with bottom coupling device - Vertical outlet + GTP

WET/DRY use: WET

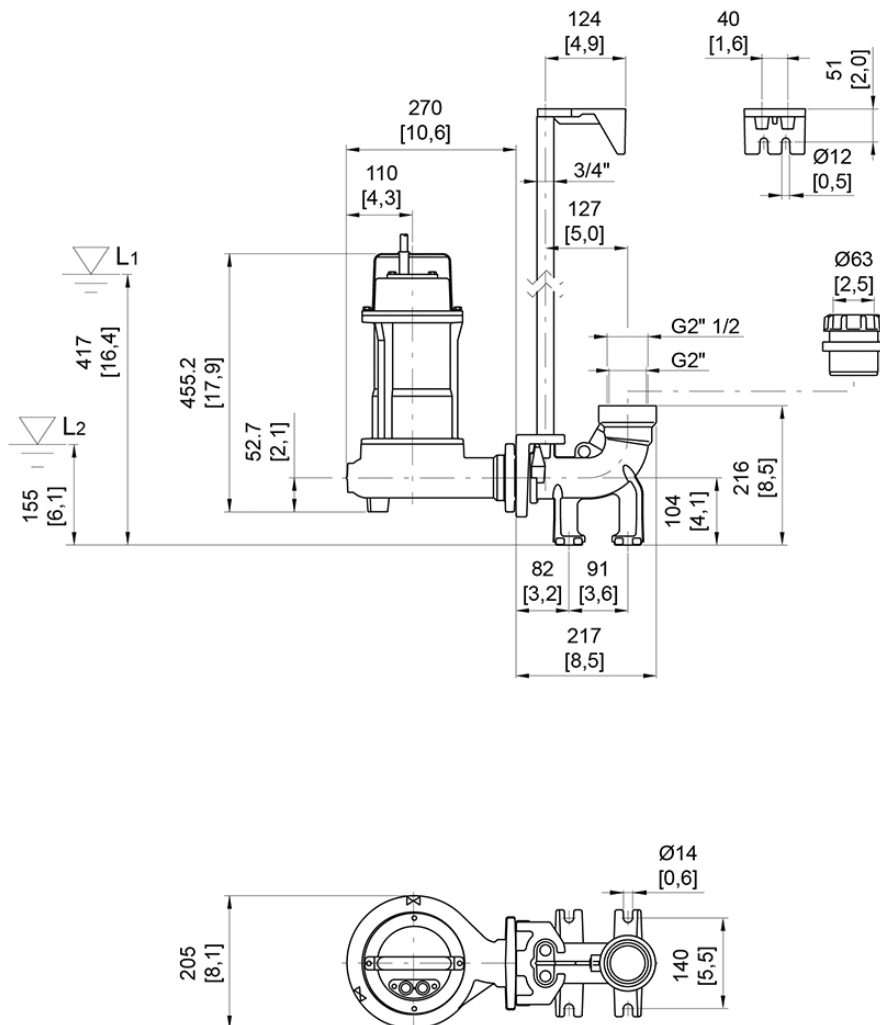
Accessory \* : DAC 32-50/G50V-G65V 3/4" EN+GTP (P)

Discharge: DN 50 - G2" EN 1092-2

Accessory code \* : 9028.002

Pressure rating (suction/discharge): PN 10

\* Accessory must be ordered separately



L1: Minimum operating level for continuous use  
L2: Minimum operating level for discontinuous use

[ mm ]  
[ inch ]